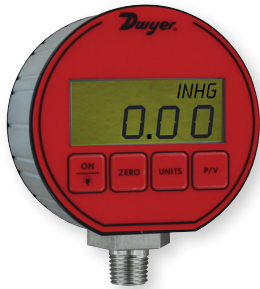


# DIGITAL PRESSURE GAGES

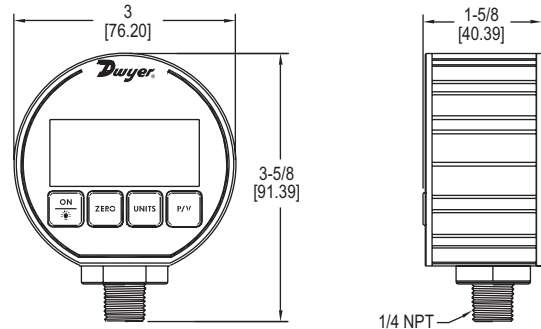
±0.25% or ±0.5% FS Accuracy, NEMA 4X (IP66) Aluminum Housing



DPG-000



DPG-100



Replace your outdated analog gages with the new **Series DPG Digital Pressure Gages**. The Series DPG has a high ±0.25% or ±0.5% full-scale accuracy. The 4 digit digital display will reduce the potential for errors in readings by eliminating parallax error commonly produced with analog gages. Series DPG is battery powered and has an auto-shut off to conserve battery life. Battery life, on average, will last 2000 hours. A 4 button key pad allows easy access to features without the need to work through complex menus or difficult key combinations. These features include backlight, peak and valley, tare or auto zero and conversion of the pressure units.

### FEATURES/BENEFITS

- High accuracy provides exceptional measurement minimizing costly out of specification conditions
- Backlit 4-digit display provides clear parallax-free reading reducing potential for errors
- Battery-powered gage with auto-shutoff eliminates wiring and prolongs battery life reducing service calls
- Push-button zero reduce installation and service time

### APPLICATIONS

- Process applications
- Replacement for legacy analog gages
- OEM applications

### ACCESSORIES

Model	Description
A-183	Protective rubber boot
A-184	Carrying case



DPG-100 with protective rubber boot



Protective carrying case

### SPECIFICATIONS

**Service:** Compatible liquids and combustible gases (for FM listing see Agency Approvals below).

**Wetted Materials:** Type 316L SS.

**Housing Materials:** Polycarbonate front & back cover, anodized aluminum extruded housing with recessed grooves, polycarbonate overlay, Buna-N O-rings, 316L SS sensor construction.

**Accuracy:** DPG-000: ±0.5% FS; DPG-100: 0.25% FS; ±1 least significant digit @ 70°F (21°C) (includes linearity, hysteresis, repeatability).

**Pressure Limit:** 2x pressure range for models ≤1000 psi; 5000 psi for 3000 psi range; 7500 psi for 5000 psi range.

**Enclosure Rating:** Designed to meet NEMA 4/4X (IP66).

**Temperature Limits:** 0 to 130°F (-18 to 55°C).

**Thermal Effect:** Between 70 to 130°F is 0.016%/F; Between 32 to 70°F is 0.026%/F; Between 10 to 32°F is 0.09%/F.

**Size:** 3.00" OD x 1.90" deep (max).

**Process Connection:** 1/4" male NPT.

**Display:** 8.84 oz (275 g).

**Display:** 4 digit (.425" H x .234" W digits).

**Power Requirements:** (2) AAA alkaline batteries, included, user replaceable.

**Battery Life:** 2000 hours typical; Low battery indicator (60 hours in continuous use).

**Auto Shut-Off:** Gage: 60 minute auto shut off. Auto shut-off may be disengaged; Backlight: 2 minute auto shut-off.

**Agency Approvals:** DPG-000: CE; DPG-100: CE, FM approved to be intrinsically safe for Class I, Division I, Groups A, B, C and D, for ranges 0-15 to 0-3000 psi.

### OPTIONS

To order add suffix:	Description
-NIST	NIST traceable calibration certificate
Example: DPG-002-NIST	

### MODEL CHART

Model ±0.5%	Model ±0.25%	Range psi	Pressure Ranges									
			kg/cm <sup>2</sup>	bar	in Hg	ft w.c.	kPa	oz/in <sup>2</sup>	in w.c.	mbar	cm w.c.	mm Hg
DPG-000*	-	-14.70 to 0	-1.033	-1.013	-29.93	-33.94	-101.4	-235.2	-407.3	-1013	-1034	-760.7
DPG-002*	DPG-102	15.00	1.055	1.034	30.54	34.61	103.4	240	415.2	1034	1055	775.7
DPG-003*	DPG-103	30.00	2.109	2.069	61.08	69.21	206.9	480	830.4	2069	2109	1551
DPG-004*	DPG-104	50.00	3.515	3.448	101.8	115.4	344.8	800	1384	3448	3515	2586
DPG-005*	DPG-105	100.0	7.03	6.895	203.6	230.7	689.5	1600	2768	6895	7031	5172
DPG-006*	DPG-106	200.0	14.06	13.79	407.2	461.4	1379	3200	5536	-	-	-
DPG-007*	DPG-107	300.0	21.09	20.69	610.8	692.1	2069	4800	8304	-	-	-
DPG-008*	DPG-108	500.0	35.15	34.48	1018	1154	3448	8000	-	-	-	-
DPG-009*	DPG-109	1000	70.3	68.98	2036	2307	6895	-	-	-	-	-
DPG-010*	DPG-110	3000	210.9	206.9	6108	6921	-	-	-	-	-	-
DPG-011*	DPG-111*	5000	351.5	344.8	-	-	-	-	-	-	-	-
DPG-020*	-	-14.70 to 15.00	-1.033 to 1.055	-1.013 to 1.034	-29.93 to 30.54	-33.94 to 34.61	-101.4 to 103.4	-235.2 to 240	-407.3 to 415.2	-1013 to 1034	-1034 to 1055	-760.7 to 775.7
DPG-021*	-	-14.70 to 30.00	-1.033 to 2.109	-1.013 to 2.069	-29.93 to 61.08	-33.94 to 69.21	-101.4 to 206.9	-235.2 to 480	-407.3 to 830.4	-1013 to 2069	-1034 to 2109	-760.7 to 1551
DPG-022*	-	-14.70 to 45.00	-1.033 to 3.164	-1.013 to 3.103	-29.93 to 91.63	-33.94 to 103.8	-101.4 to 310.3	-235.2 to 720	-407.3 to 1245	-1013 to 3102	-1034 to 3164	-760.7 to 2327
DPG-023*	-	-14.70 to 60.00	-1.033 to 4.218	-1.013 to 4.137	-29.93 to 122.2	-33.94 to 138.4	-101.4 to 413.7	-235.2 to 960	-407.3 to 1661	-1013 to 4137	-1034 to 4218	-760.7 to 3103
DPG-024*	-	-14.70 to 100.0	-1.033 to 7.03	-1.013 to 6.895	-29.93 to 203.6	-33.94 to 230.7	-101.4 to 689.5	-235.2 to 1600	-407.3 to 2768	-1013 to 6895	-1034 to 7031	-760.7 to 5172

\*Model is not FM approved.